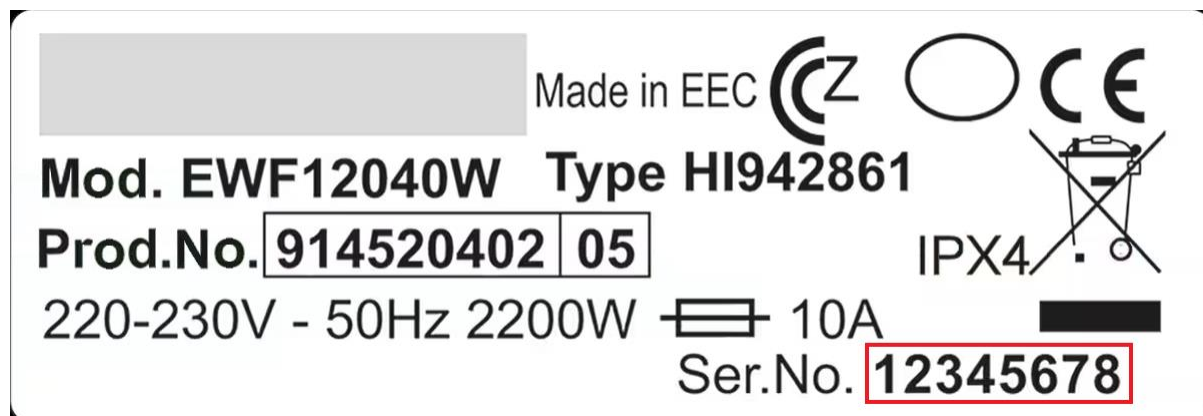


Where can I find my appliance's serial number?

The serial number is located on your data plate:

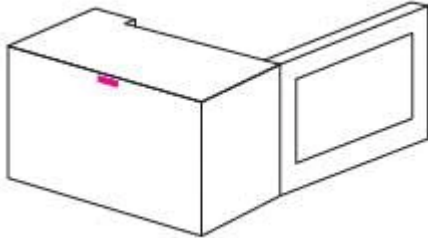


Alternatively, the serial number may also be available on the package label:



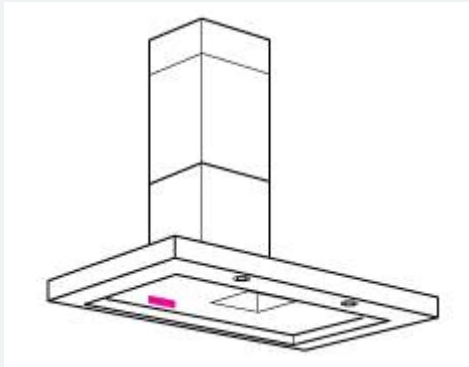
Or on your warranty certificate.

Data plate locations are as follows:



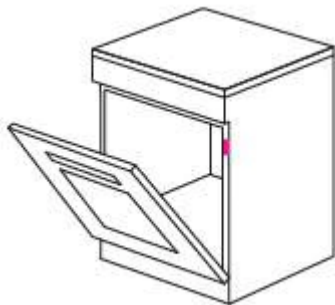
Microwave:

On the back of the appliance



Cooker Hood:

On the underside, near the motor,
behind the filter



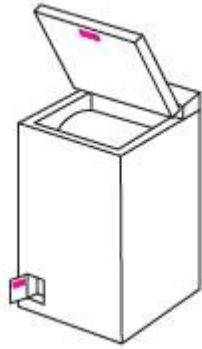
Oven / Cooker:

Around the door cavity



Washing machine (Front-Loader):

Behind the appliance door or behind
the filter door



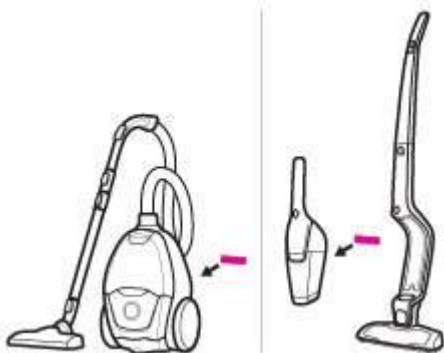
Washing machine (Top-Loader):

Behind the appliance door or behind the filter door



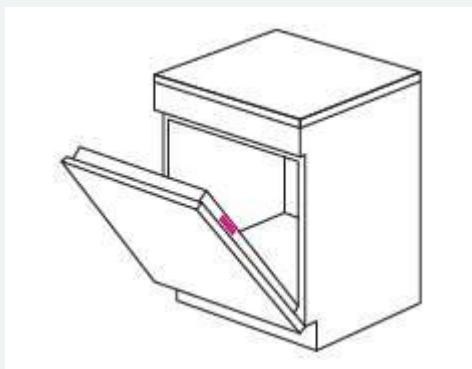
Dryer:

Behind the appliance door



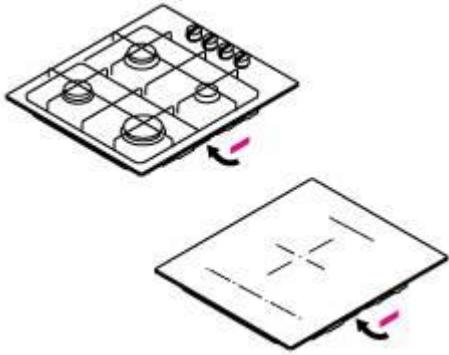
Vacuum cleaner:

On the underside of the appliance



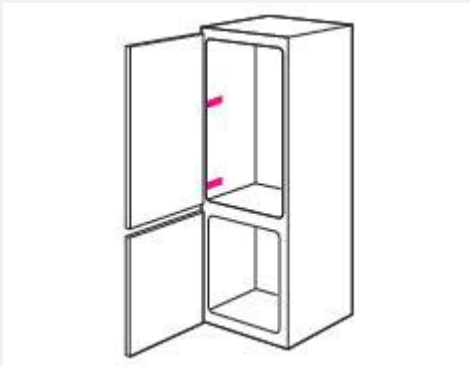
Dishwasher:

On the inside corner of the door



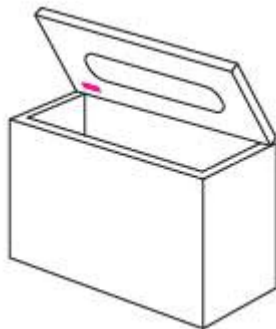
Hob:

On the underside of the appliance
(For induction and ceramic hobs also
in the user manual booklet)



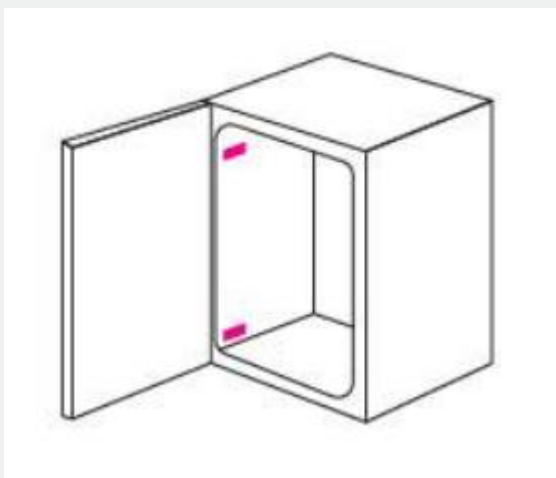
Fridge freezer/Side by side/American
style:

Inside on the side



Chest Freezer:

On the underside of the door



Under counter Fridge/Freezer:

Inside on the side